



Product Technical Data Sheet

Model LS8695v2 / LS8695v2-I

Description

The LS8695v2 is a bi-amp full-range true line source array column, which produces an extremely tight vertical sound field. Stacking columns will increase throw distances and produce tighter vertical control at lower frequencies.

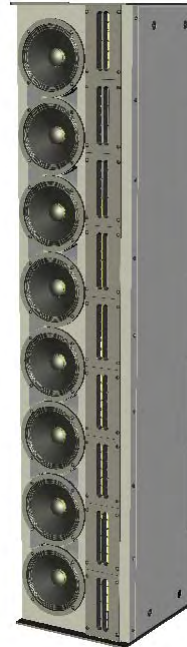
A true line source array restricts spreading of sound waves in the vertical plane, producing cylindrical wave radiation that delivers a sound field at a constant height represented by the height of the array.

The LS8695v2 high frequency module features a continuous array of nine high performance PRD500 planar ribbon transducers designed and manufactured by SLS Loudspeakers. The unique design and properties of the planar ribbon driver allows precise acoustical coupling of the array and hence, full utilization of line source (cylindrical waves) benefits. Coupled with eight ported 6.5" woofers, the LS8695v2 produces full range bandwidth at extremely high sound pressure levels.

The LS8695v2 is suited for portable applications while the LS8695v2-I uses barrier strip inputs for installations.

Key Features

- Direct radiating planar PRD500 ribbon high frequency line source module delivers unsurpassed sound quality
- True line source behavior due to precise acoustical coupling of individual PRD500 high frequency transducers
- High resolution composite paper cone woofers
- Cylindrical wave radiation:
 - o Produces 3dB loss per doubling of distance as opposed to the 6dB loss of a conventional loudspeaker. This means increased throw distances with less variation between near and far field.
 - o Greatly restricts vertical spreading of sound field, which significantly reduces ceiling and floor reflections – dramatically improving direct to reverberant ratios – resulting in improved speech intelligibility.
- Column array places sound source on the same plane as performers creating better localization
- Extremely wide horizontal coverage
- Even and easily predictable coverage
- Incredible feedback immunity compared to point source systems



Applications

- Developed for a wide range of professional applications where the highest quality and intelligibility of sound is required - especially effective in highly reverberant and/or elongated spaces
- Sound reinforcement in churches and auditoriums
- Portable PA system for a variety of applications
- Stack columns to achieve taller vertical sound field for raked seating applications
- Stacking columns also produces line source behavior at lower frequencies, which increases thrown distance
- Typical system SPL of a stack of two LS8695v2 columns is 115dB at 60'

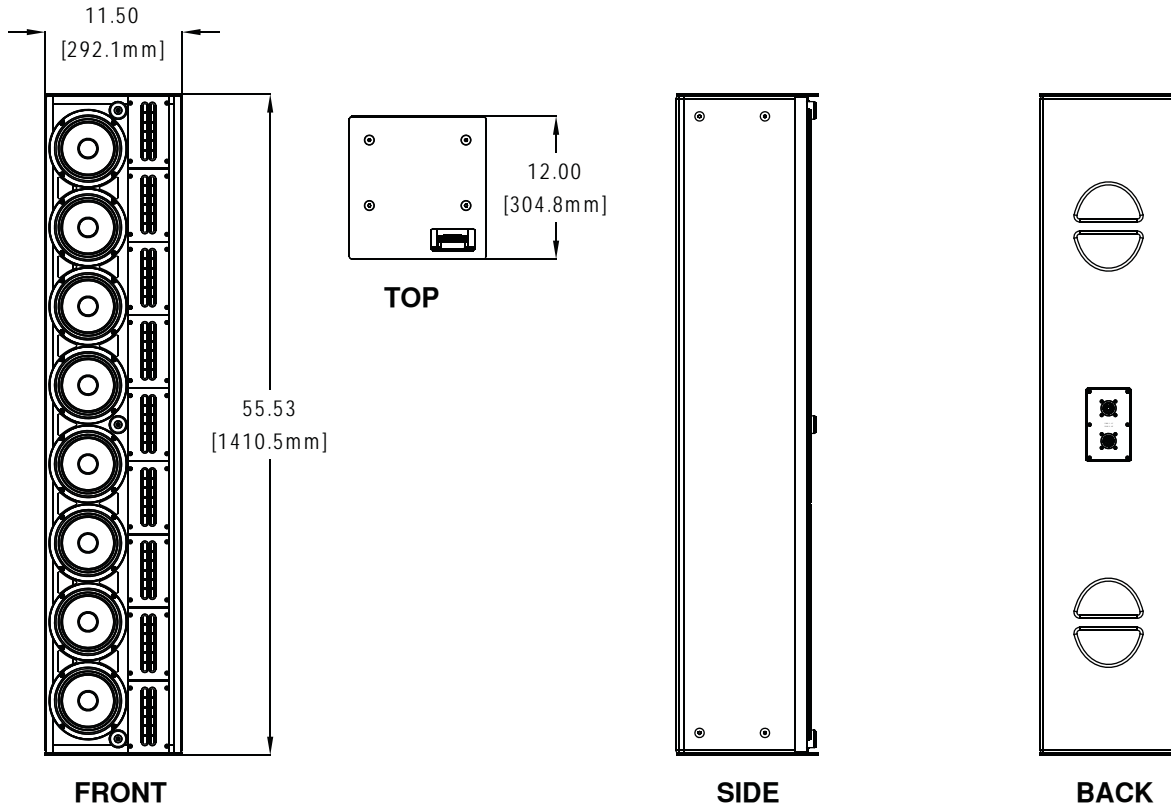
Product Specifications		
Operating Range ¹	70Hz - 20,000Hz	
Sensitivity (1W/1M) - Low Freq. ²	100dB	
	High Freq.	105dB
Horizontal Coverage Angle -6dB ³	120 Degrees	
Vertical Coverage Angle	Defined by the height of the array	
Power Handling - Low Freq. ⁴	800W (56 Volts) AES/2	
	High Freq.	1305W (95 Volts) IEC Short Term
		414W (54 Volts) IEC Long Term
	315W (47 Volts) AES/2	
Recommended Amp Power for Max Output	Low Freq.	1600 Watts @ 4 ohms
	High Freq.	1300 Watts @ 8 ohms
Max SPL (calculated) 1 Meter - Low Freq. ⁵	High Freq.	126dB Cont. / 132dB Peak
		131dB Cont. / 136dB Peak
Nominal Impedance - Low Freq.	High Freq.	4 Ohms
		7 Ohms
Crossover Frequency	DSP Settings Provided	
Transducers - Low Freq.	6.5" Woofers x 8	
	High Freq.	PRD500 Ribbons x 9
LS8695v2 Input	NL4 x2 (Pair 1 = LF, Pair 2 = HF)	
LS8695v2-I Input	Barrier Strip	
Dimensions	55.53" (141cm) H	
	11.5" (29.2cm) W	
	12" (30.5cm) D	
Enclosure	13ply Baltic Birch	
Weight	110lbs (50kg) Shipping 135lbs (61.2kg)	
Rigging	16 Points 3/8"/16 threaded inserts	
Optional Accessories	MP8695 Box Coupling/wall mount brackets	
	FT8695 Floor stand (max 2 modules)	
	RC-LS8695/1 Road case (holds 1 module)	
	RC-LS8695/2 Road case (holds 2 modules)	
Finish Options	Black Latex	
	White Latex (w/ white hardware)	
	Paintable Natural Finish (w/ black hardware)	

1. LF at -10dB, HF -6dB at 40kHz on-axis however response above 20kHz is limited by air absorption and DSP sampling rates in typical PA applications.
 2. Full bandwidth pink noise is applied and amplified to a level and measured at the loudspeaker terminals - corresponding to 1 Watt as referenced to the loudspeakers nominal impedance. SPL is measured in an anechoic environment in the loudspeakers far field. Data is extrapolated to 1 Meters distance from the loudspeaker. Predicting SPL at distance using inverse square law calculations will produce inaccurate results. Use our free LASS software to predict system SPL.
 3. Averaged from 1000Hz to 10kHz
 4. AES established with ambient temperature at 22C in accordance with AES/2-1984 standard. IEC stated in RMS voltage according to IEC 268-5
 5. Typical SPL for one box only, for array SPL refer to LASS calculations. Ribbon SPL calculated from IEC long term and short term



SUPERIOR LISTENING SYSTEMS
AUDIO CLARITY REDEFINED

LS8695v2 / LS8695v2-I Drawings



Horizontal Polars

