



CS850S

CINEMA SURROUND SPEAKER SYSTEM

SLS AUDIO A DIVISION OF DOLBY LABORATORIES 1650 W. JACKSON OZARK, MO 65721 417-323-7000

TECH DATA SHEET



Description:

The CS850S is a high quality 8" coax, two-way passive design. It serves as a surround sound source module for small to medium size theaters.

The CS850S high frequency section features a coax mounted 3" planar ribbon transducer. The unique design and properties of the planar ribbon driver allows for a very clear delivery and transient accuracy even at the limits of its performance.

The CS850S contains an audiophile grade crossover delivering smooth response and consistent polar patterns throughout the crossover region.

Key Features:

- ◆ 3" planar ribbon, high frequency driver delivers unsurpassed sound quality
- ◆ Open and transparent sound even at high SPL due to advanced transducer technology in all bandwidth sections
- ◆ 13-ply 3/4" Baltic Birch cabinet construction
- ◆ Optional U-Bracket for easy installation and aiming

Applications:

- ◆ Developed for high performance cinema applications where the highest quality and intelligibility of sound is required
- ◆ Surround Source

Specifications/CS850S*

Operating Range	60Hz to 20kHz
Sensitivity (1W@1M) ¹	90dB
Horizontal Coverage -6dB ²	110degs
Vertical Coverage -6dB ²	90degs
Power Handling ³	75W (24V) AES/2
Recommended Amplifier	150W @ 8 ohms
Max SPL (calculated) 1M	109dB continuous/115dB peak
Nominal Impedance	8 ohms
Crossover Frequency	Passive 2500Hz
Transducers	LF 8" Woofer HF Coax 3" Ribbon Driver
Input	Barrier Strip
Dims	15.5" (39.4cm) H 12" (30.5cm) W 9" (22.97cm) D-Top 4.3" (10.9cm) D-Bottom
Enclosure	13 ply Baltic birch
Net Weight	16 lbs./ 7.25kg
Rigging	U-Bracket Side Mounts & Rear mounts For 3 rd party mounting systems
Optional Accessories	U Bracket (BKT.CS850-UB) Adaptive Technologies MultiMount™ (MM-024)
Finish Options	Flat Black Latex

*Due to product improvement research, SLS Audio reserves the right to make changes to existing products without notice.

1. A sine wave sweep is applied to a voltage level measured at the loudspeaker terminals corresponding to 1W@1M as referenced to the loudspeakers nominal impedance and the measuring distance. SPL is measured in an anechoic environment in the loudspeakers for field with the exception of subwoofers which are measured in half space. Sensitivity is determined by a Log/Log averaging method from 315Hz to 16kHz in the anechoic environment. Subwoofers use the same method with the half space measurement but within their specified operating bandwidth.

2. Averaged from 500Hz to 8kHz

3. AES established in accordance with AES/2-2012 standard.

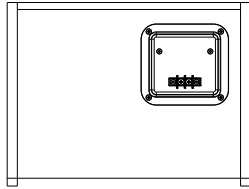


CS850S

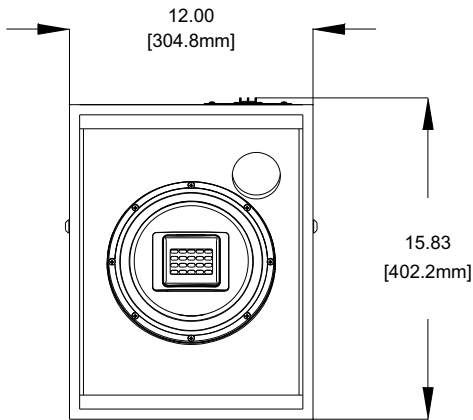
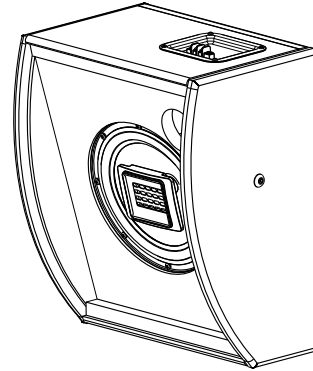
CINEMA SURROUND SPEAKER SYSTEM

SLS AUDIO A DIVISION OF DOLBY LABORATORIES 1650 W. JACKSON OZARK, MO 65721 417-323-7000

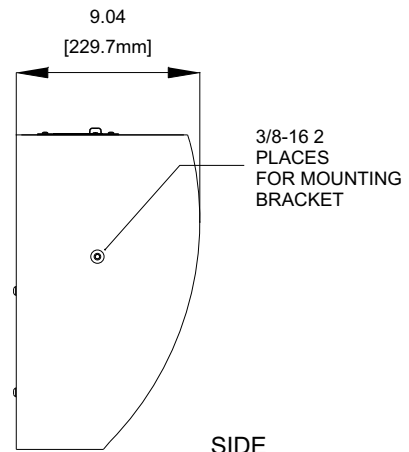
TECH DATA SHEET



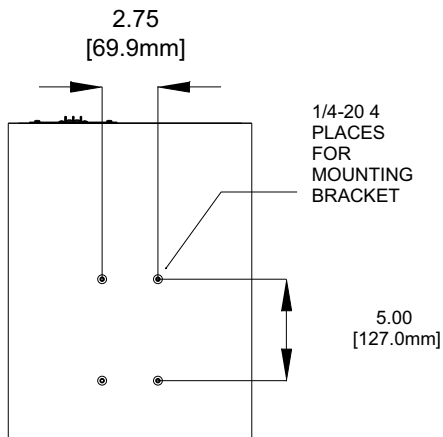
TOP



FRONT



SIDE



BACK