



CS200MH

CINEMA SCREEN CHANNEL SPEAKER SYSTEM

SLS AUDIO A DIVISION OF DOLBY LABORATORIES 1650 W. JACKSON OZARK, MO 65721 417-323-7000

TECH DATA SHEET



Description:

The CS200MH is a passive, mid/hi, screen channel cinema speaker module for commercial cinema applications. Coupled with the CSB215 low frequency module, it is perfect for auditoriums of 150-250 seats.

The high frequency section features a high performance PRD1000 planar ribbon transducer designed and manufactured by SLS Audio. The unique design and properties of the planar ribbon driver delivers fast transient accuracy as well as an exceptionally smooth high- frequency response delivering a more direct sound to the audience even with screen spreading.

The midrange section utilizes a 12" front loaded driver. The driver features a high temperature voice coil.

Key Features:

- ◆ PRD1000 planar ribbon, high frequency driver delivers unsurpassed sound quality
- ◆ Open and transparent sound even at high SPL due to advanced transducer technology in all bandwidth sections
- ◆ 80 x 40 degree dispersion pattern (not including screen scattering)
- ◆ 13-ply 3/4" Baltic Birch cabinet construction
- ◆ Included U-Bracket for easy installation and aiming

Applications:

- ◆ Developed for high performance cinema applications where the highest quality and intelligibility of sound is required
- ◆ Behind Screen LCR

Specifications/CS200MH*

Operating Range	200Hz to 20kHz
Sensitivity (1W@1M) ¹	98dB
Horizontal Coverage -6dB ²	80degs
Vertical Coverage -6dB ²	40degs
Power Handling ³	350W (53V)
Recommended Amplifier	800W
Max SPL (calculated) 1M	123dB continuous/129dB peak
Nominal Impedance	8 ohms
Crossover Frequency	Passive
Transducers	MF 12" HF 6" PRD1000 Ribbon Driver
Input	Barrier Strip
Dims	27.37"H (695.1mm) x 14.67"W (372.5) cm x 10.46"D (265.7mm)
Enclosure	13 ply Baltic birch
Net Weight	61 lbs.
Rigging	U-Bracket (included) for CSB215 attachment
Optional Accessories	-
Finish Options	Flat Black Latex

*Due to product improvement research, SLS Audio reserves the right to make changes to existing products without notice.

1. A sine wave sweep is applied to a voltage level measured at the loudspeaker terminals corresponding to 1W@1M as referenced to the loudspeakers nominal impedance and the measuring distance. SPL is measured in an anechoic environment in the loudspeakers far field with the exception of subwoofers which are measured in half space. Sensitivity is determined by a Log/Log averaging method from 315Hz to 1kHz in the anechoic environment. Subwoofers use the same method with the half space measurement but within their specified operating bandwidth.

2. Averaged from 500Hz to 8kHz

3. AES established in accordance with AES/2-2012 standard.



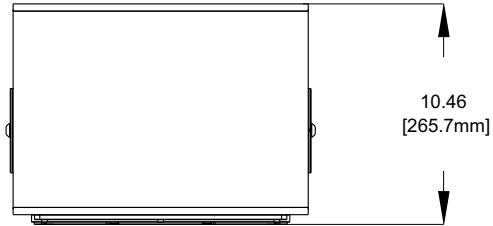


CS200MH

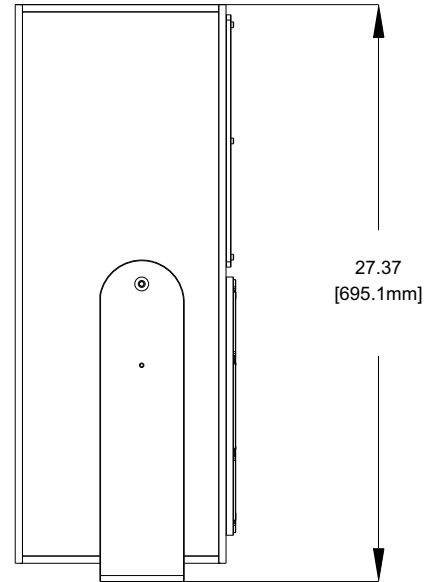
CINEMA SCREEN CHANNEL SPEAKER SYSTEM

SLS AUDIO A DIVISION OF DOLBY LABORATORIES 1650 W. JACKSON OZARK, MO 65721 417-323-7000

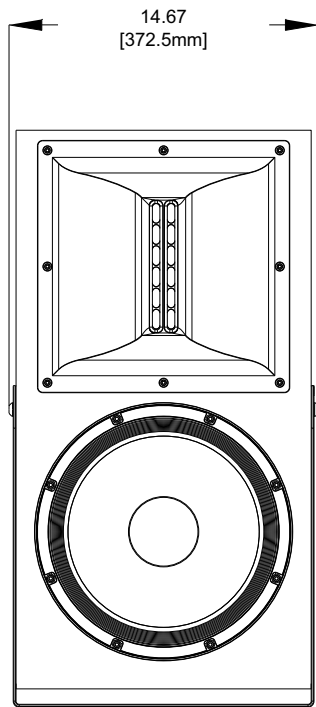
TECH DATA SHEET



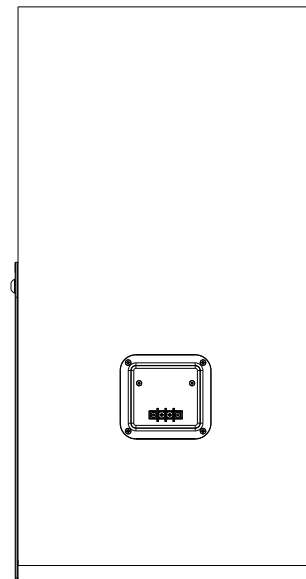
TOP



SIDE



FRONT



BACK