



# CS118XL

CINEMA SUBWOOFER MODULE

SLS AUDIO A DIVISION OF DOLBY LABORATORIES 1650 W. JACKSON OZARK, MO 65721 417-323-7000

## TECH DATA SHEET



### Description:

The CS118XL is a single 18" subwoofer. It is a high performance, front loaded, vented box design with maximized low frequency extension.

The 18" driver used in the CS118XL uses a neodymium magnet structure and a high temperature voice coil which results in a power handling of 600W RMS.

### Key Features:

- ◆ Ported, front-loaded driver design for high sensitivity and transient response
- ◆ Extended low frequency response
- ◆ 13-ply 3/4" Baltic Birch cabinet construction
- ◆ Barrier strip input connection

### Applications:

- ◆ Developed for high performance cinema applications where the highest quality and intelligibility of sound is required
- ◆ Cinema systems extreme low frequency support

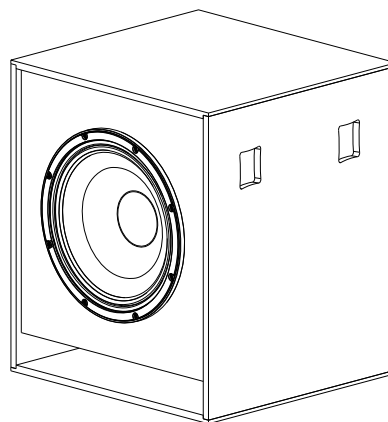
### Specifications/CS118XL\*

Operating Range	29Hz to 300Hz
Sensitivity (1W@1M) <sup>1</sup>	99dB
Power Handling <sup>2</sup>	600W (69V) AES/2
Recommended Amplifier	1200W @ 8 Ohms
Max SPL (calculated) 1M	127dB Cont. / 133dB Peak
Nominal Impedance	8 ohms
Transducers	18" Woofer
Input	Barrier Strip
Dims	30" (76cm) H 26" (66cm) W 25" (63.5cm) D
Enclosure	13 ply Baltic birch
Net Weight	96 lbs.
Finish Options	Flat Black Latex

\*Due to product improvement research, SLS Audio reserves the right to make changes to existing products without notice.

1. A sine wave sweep is applied to a voltage level measured at the loudspeaker terminals corresponding to 1W@1M as referenced to the loudspeakers nominal impedance and the measuring distance. SPL is measured in an anechoic environment in the loudspeakers far field with the exception of subwoofers which are measured in half space. Sensitivity is determined by a Log/Log averaging method from 315Hz to 16kHz in the anechoic environment. Subwoofers use the same method with the half space measurement but within their specified operating bandwidth.

2. AES established in accordance with AES/2-2012 standard.



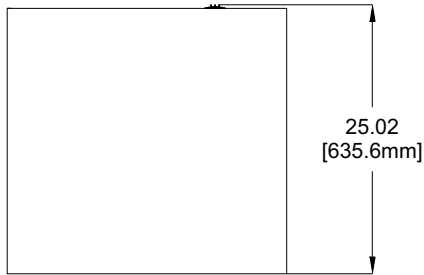


# CS118XL

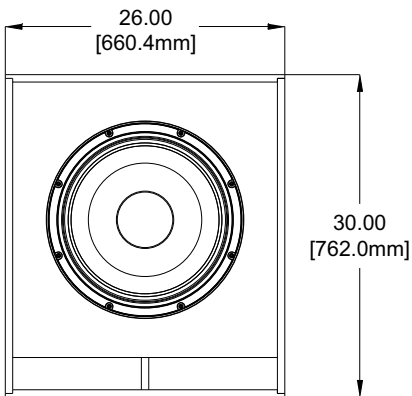
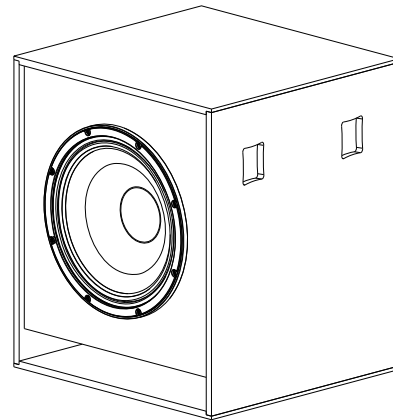
CINEMA SUBWOOFER MODULE

SLS AUDIO A DIVISION OF DOLBY LABORATORIES 1650 W. JACKSON OZARK, MO 65721 417-323-7000

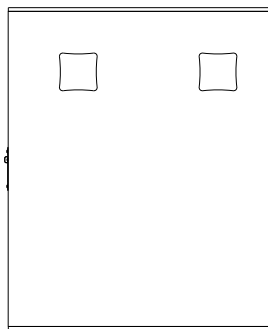
## TECH DATA SHEET



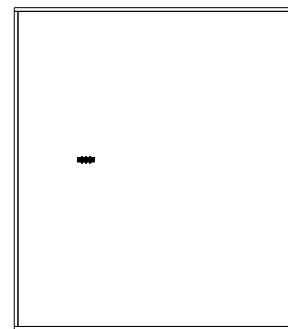
TOP



FRONT



SIDE



BACK