



# CS100MH

CINEMA SCREEN CHANNEL SPEAKER SYSTEM

SLS AUDIO A DIVISION OF DOLBY LABS 1650 W. JACKSON OZARK, MO 65721 417 323 7000

## TECH DATA SHEET



### Description:

The **CS100MH** is a passive mid/hi screen channel cinema loudspeaker for auditoriums of 100-150 seats. It is also available with an optional passive crossover (PXO.CS2015) for single channel amplifier operation when used with the CSB115.

The high frequency section features a high performance PRD500 planar ribbon transducer designed and manufactured by SLS Audio. The unique design and properties of the planar ribbon driver delivers fast transient accuracy as well as an exceptionally smooth high frequency response delivering a more direct sound to the audience even with screen spreading. The midrange section uses 2 x 6.5" drivers that are horn-loaded for increased sensitivity.

### Key Features:

- ◆ PRD500 planar ribbon, high frequency driver delivers unsurpassed sound quality
- ◆ Open and transparent sound even at high SPL due to advanced transducer technology in all bandwidth sections
- ◆ 90 x 40 degree dispersion pattern (not including screen scattering)
- ◆ 13-ply 3/4" Baltic Birch cabinet construction
- ◆ Included U-Bracket for easy installation and aiming
- ◆ Optional passive crossover network for single channel amplifier operation (#PXO.CS2015) when used with the CSB115 LF module

### Applications:

- ◆ Developed for high performance cinema applications where the highest quality and intelligibility of sound is required
- ◆ Behind Screen LCR

### Specifications/CS100MH

|                                  |  |
|----------------------------------|--|
| Operating Range                  | 200Hz to 20kHz   |
| Sensitivity (1W@1M) <sup>1</sup> | 96dB   |
| Horizontal Coverage              | 90degs<br>-6dB <sup>2</sup>                                    |
| Vertical Coverage                | 40degs<br>-6dB <sup>2</sup>                                    |
| Power Handling <sup>3</sup>      | 180W (27V) AES/2   |
| Recommended Amplifier            | 400W   |
| Max SPL (calculated) 1M          | 119dB continuous/125dB peak                                    |
| Nominal Impedance                | 4 ohms   |
| Crossover Frequency              | Passive  |
| Transducers                      | MF 6.5"x2<br>HF 5" PRD500 Ribbon Driver                        |
| Input                            | Barrier Strip  |
| Dims                             | 27.86"H (707.8mm) x 14.67"W<br>(372.5mm) cm x 9.26"D (235.1mm) |
| Enclosure                        | 13 ply Baltic birch  |
| Net Weight                       | 44lbs.   |
| Rigging                          | U-Bracket (included) for CSB115 attachment                     |
| Optional Accessories             | PXO.CS2015 Crossover for use with CSB115                       |
| Finish Options                   | Flat Black Latex   |

\*Due to product improvement research, SLS Audio reserves the right to make changes to existing products without notice.

1. A sine wave sweep is applied to a voltage level measured at the loudspeaker terminals corresponding to 1W@1M as referenced to the loudspeakers nominal impedance and the measuring distance. SPL is measured in an anechoic environment in the loudspeakers far field with the exception of subwoofers which are measured in half space. Sensitivity is determined by a Log/Log averaging method from 315Hz to 16kHz in the anechoic environment. Subwoofers use the same method with the half space measurement but within their specified operating bandwidth.

2. Averaged from 500Hz to 8kHz

3. AES established in accordance with AES/2-2012 standard.

CS100MH SHOWN WITH CSB115  
LOW FREQUENCY MODULE



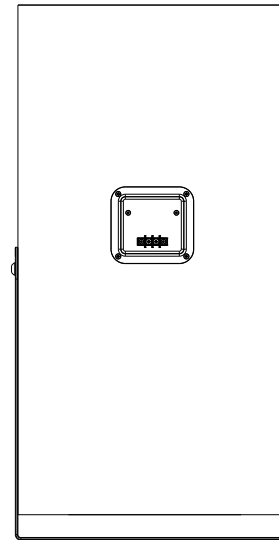
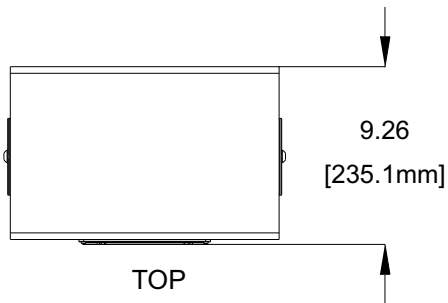


# CS100MH

CINEMA SCREEN CHANNEL SPEAKER SYSTEM

SLS AUDIO A DIVISION OF DOLBY LABS 1650 W. JACKSON OZARK, MO 65721 417 323 7000

## TECH DATA SHEET



BACK

