



Product Technical Data Sheet

Model 2413

Description

The 2403 is a high quality dual 4.5" two-way design. It serves as an in-stair installation enclosure with an optional back box

The 2403's dual woofers and 3 inch ribbon share the same bolt patterns so they are interchangeable for creating different baffle mounting configurations. The ribbon driver is also rotatable to change the coverage of the system.

An audiophile grade crossover aids the components in delivering smooth response and consistent polar patterns.



Key Features:

- 3" high frequency ribbon delivers unsurpassed sound quality
- Open and clear sound at high SPL due to advanced transducer technology
- Front Baffle size designed for in-stair applications
- Optional back box
- Optional 30W 70V transformer
- 90 degree horizontal coverage

Product Specifications	
Operating Range ¹	100Hz - 20,000Hz
Sensitivity (1W/1M) ²	91dB
Horizontal Coverage Angle -6dB ³	90 Degrees
Vertical Coverage Angle -6dB ³	50 Degrees
Power Handling ⁴	80W RMS (18 Volts) AES/2
Max SPL (calculated) 1 Meter	110dBCont. / 116dB Peak
Recommended Amp Power for Max Output	160 Watts @ 4 Ohms
Nominal Impedance	4 Ohms
Crossover Frequency	Internal Passive 2300Hz
Transducers - Low Freq.	4.5" Bass/Midrange x2
High Freq.	3" Ribbon
Input	Terminal Strip
Dimensions	5.375" (13.65cm) H
	14.375" (36.51cm) W
	7.625" (19.37cm) D
Enclosure	MDF
Weight	13lbs (6.1kg) Shipping 18lbs (8kg)
Optional Accessories	Internal 30Watt 70V Transformer 2413-BB In-stair Backbox
Optional Backbox Dimensions	5.5" (13.97cm) H
	16.75" (42.55cm) W
	11.25" (28.58cm) D

Applications

Developed for a wide range of professional applications where the highest quality and intelligibility of sound is required

- In-stair frontfill
- In-wall choir fill
- In-wall Home Theater

1. LF at -10dB, HF -6dB at 25kHz on-axis however response above 20kHz is limited by air absorption and DSP sampling rates in typical PA applications.

2. Full bandwidth pink noise is applied and amplified to a level and measured at the loudspeaker terminals - corresponding to 1 Watt as referenced to the loudspeakers nominal impedance. SPL is measured in an anechoic environment in the loudspeakers far field. Data is extrapolated to 1 Meters distance from the loudspeaker.

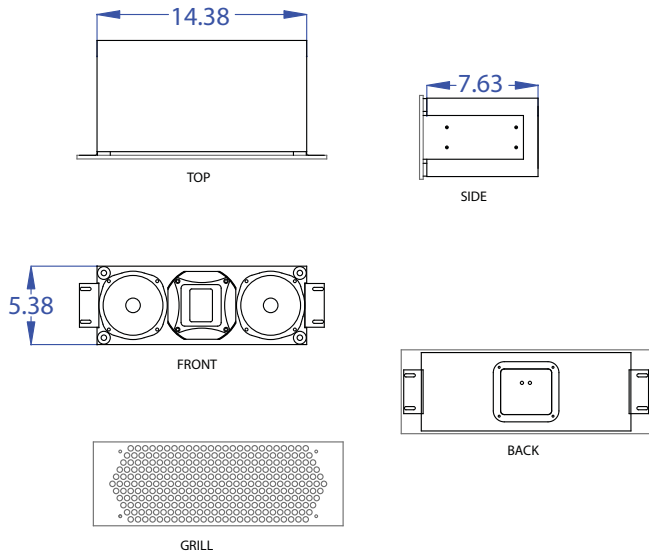
3. Averaged from 2000Hz to 10kHz

4. AES established with ambient temperature at 22C in accordance with AES/2-1984 standard. IEC stated in RMS voltage according to IEC 268-5

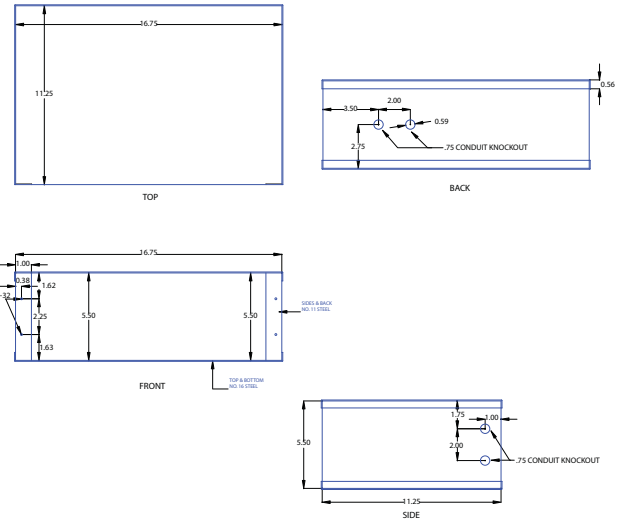


2413 Drawings

2413

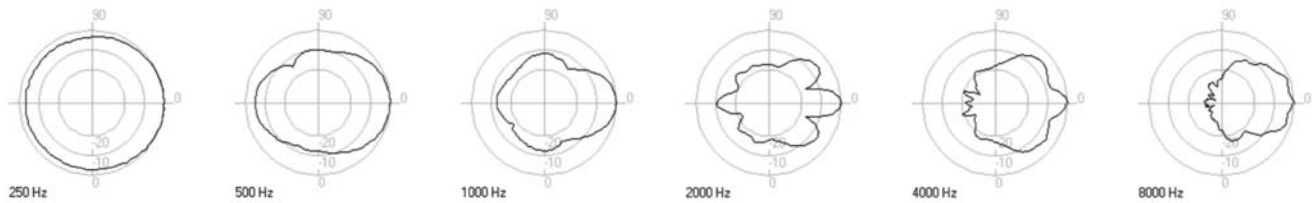


Optional Backbox (2413-BB)



Polars

Horizontal Axis (Typical Orientation)



Vertical Axis (Typical Orientation)

