



Product Technical Data Sheet

Model 1590T-I

Description

The 1590T-I is a full-range high quality 15" two-way design with integrated rigging points.

The 1590T-I high frequency section features a high performance PRD500 planar ribbon transducer designed and manufactured by SLS Loudspeakers. The unique design and properties of the planar ribbon driver allows for a very clear delivery and transient accuracy even at the limits of its performance. The PRD500 is contained within a 90 degree die cast aluminum waveguide that is rotatable within the cabinet.

The low frequency section uses a single high-powered 15" driver designed with an aluminum basket, neodymium magnet structure and high-temperature edge-wound voice coil.

Crossovers maintain the high quality using heavy gauge air core inductors and polypropylene capacitors.

Key Features:

- PRD500 ribbon high frequency driver delivers unsurpassed sound quality
- Open and clear sound at high SPL due to advanced transducer technology
- Integrated rigging points
- 90 degree wide horizontal coverage with rotatable ribbon
- ¾" 13 ply Baltic Birch cabinet



Product Specifications	
Operating Range ¹	50Hz - 20,000Hz
Sensitivity (1W/1M) ²	96dB
Horizontal Coverage Angle -6dB ³	90 Degrees
Vertical Coverage Angle -6dB ³	30 Degrees
Power Handling ⁴	300W (49 Volts) AES/2
Recommended Amp Power for Max Output	600 Watts @ 8 ohms
Max SPL (calculated) 1 Meter	121dB Cont. / 127dB Peak
Nominal Impedance	8 Ohms
Crossover Frequency	Internal Passive 1500Hz
Transducers - Low Freq.	15" Woofer
High Freq.	PRD500 Ribbon
Input	Barrier Strip
Dimensions	30" (76.2cm) H 20" (50.8cm) W 15" (38.1cm) D
Enclosure	13ply Baltic Birch
Weight	58lbs (26.3kg) Shipping 73lbs (33kg)
Rigging	12 Points 3/8"/16 Threaded Inserts
Finish Options	Black Latex White Latex Paintable Natural Finish

Applications

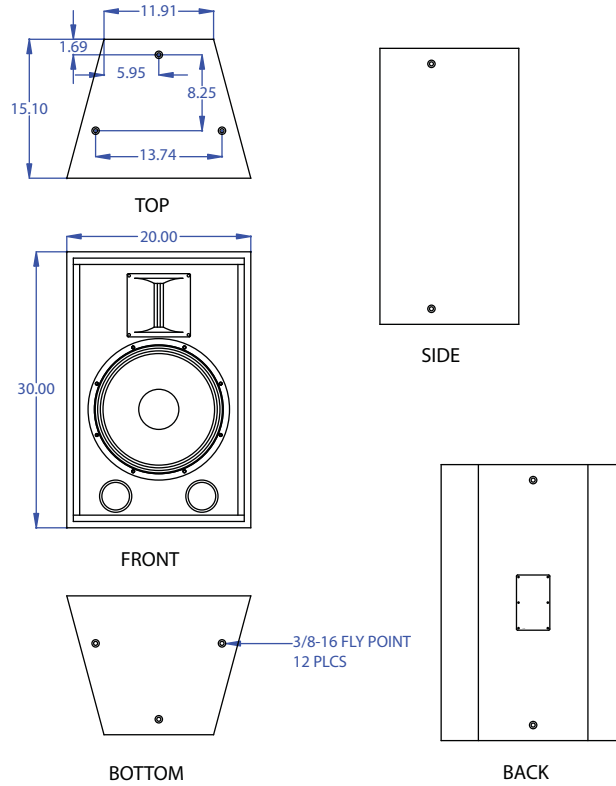
Developed for a wide range of professional applications where the highest quality and intelligibility of sound is required

- Sound reinforcement in churches and auditoriums
- Installation systems

1. LF at -10dB, HF -6dB at 40kHz on-axis however response above 20kHz is limited by air absorption and DSP sampling rates in typical PA applications.
 2. Full bandwidth pink noise is applied and amplified to a level and measured at the loudspeaker terminals - corresponding to 1 Watt as referenced to the loudspeakers nominal impedance. SPL is measured in an anechoic environment in the loudspeakers far field. Data is extrapolated to 1 Meters distance from the loudspeaker.
 3. Averaged from 1000Hz to 10kHz
 4. AES established with ambient temperature at 22C in accordance with AES/2-1984 standard. IEC stated in RMS voltage according to IEC 268-5

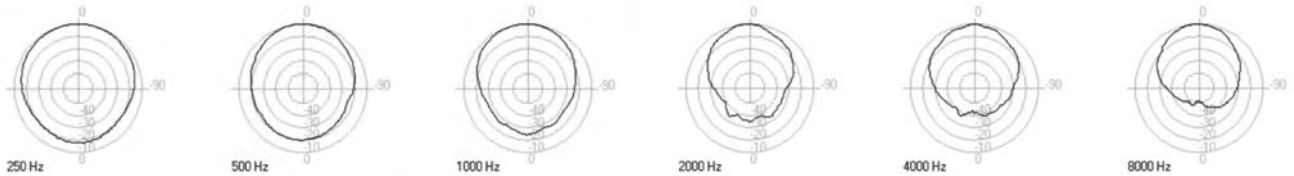


1590T-I Drawings



Polars

Horizontal Axis 



Vertical Axis 

