



Product Technical Data Sheet

# Model 1290

## Description

The 1290 is a high quality single 12" two-way passive design. It serves as a multipurpose box that offers solutions for fill coverage, front of house PA and stage monitoring.

The 1290 high frequency section features a high performance PRD500 planar ribbon transducer designed and manufactured by SLS Loudspeakers. The unique design and properties of the planar ribbon driver allows for a very clear delivery and transient accuracy even at the limits of its performance. The PRD500 is contained within a 90 degree die cast aluminum waveguide that is rotatable within the cabinet.

The low frequency section uses a single high-powered 12" driver designed with an aluminum basket, neodymium magnet structure and high-temperature edge-wound voice coil.

The 1290 contains an audiophile grade crossover delivering smooth response and consistent polar patterns throughout the crossover region.

## Key Features:

- PRD500 ribbon high frequency driver delivers unsurpassed sound quality
- Open and clear sound at high SPL due to advanced transducer technology
- Multi-purpose box design
- Small format
- Handle and pole socket
- 90 degree wide horizontal coverage with rotatable ribbon



Product Specifications	
Operating Range <sup>1</sup>	52Hz - 20,000Hz
Sensitivity (1W/1M) <sup>2</sup>	96dB
Horizontal Coverage Angle -6dB <sup>3</sup>	90 Degrees
Vertical Coverage Angle -6dB <sup>3</sup>	30 Degrees
Power Handling <sup>4</sup>	250W (45 Volts) AES/2
Recommended Amp Power for Max Output	500 Watts @ 8 ohms
Max SPL (calculated) 1 Meter	120dB Cont. / 126dB Peak
Nominal Impedance	8 Ohms
Crossover Frequency	Internal Passive 1500Hz
Transducers - Low Freq.	12" Woofer
High Freq.	PRD500 Ribbon
Input	NL4 x2
Dimensions	26.375" (67cm) H 15.75" (40cm) W 12" (30.5cm) D
Enclosure	13ply Baltic Birch
Weight	43lbs (19.5kg) Shipping 57lbs (25.9kg)
Rigging	None provided
Finish Options	Black Latex White Latex Paintable Natural Finish

## Applications

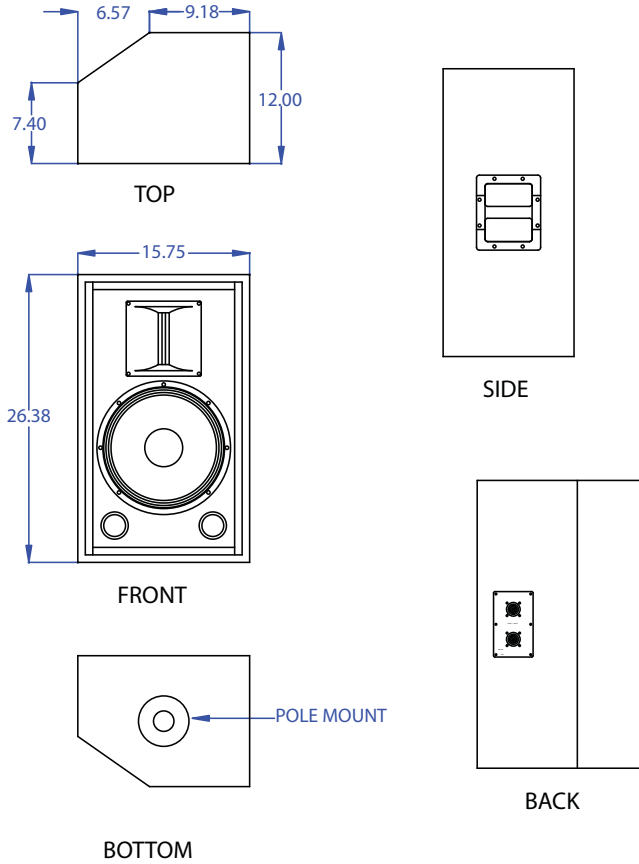
Developed for a wide range of professional applications where the highest quality and intelligibility of sound is required

- Front of House PA
- Stage Monitoring

1. LF at -10dB, HF -6dB at 40kHz on-axis however response above 20kHz is limited by air absorption and DSP sampling rates in typical PA applications.  
 2. Full bandwidth pink noise is applied and amplified to a level and measured at the loudspeaker terminals - corresponding to 1 Watt as referenced to the loudspeakers nominal impedance. SPL is measured in an anechoic environment in the loudspeakers far field. Data is extrapolated to 1 Meters distance from the loudspeaker.  
 3. Averaged from 1000Hz to 10kHz  
 4. AES established with ambient temperature at 22C in accordance with AES/2-1984 standard. IEC stated in RMS voltage according to IEC 268-5

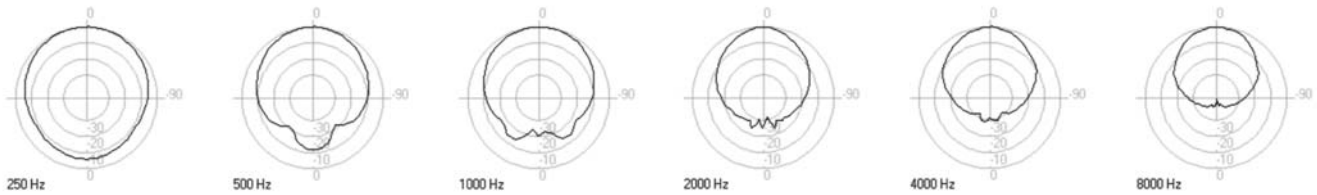


# 1290 Drawings



# Polars

Horizontal Axis



Vertical Axis

